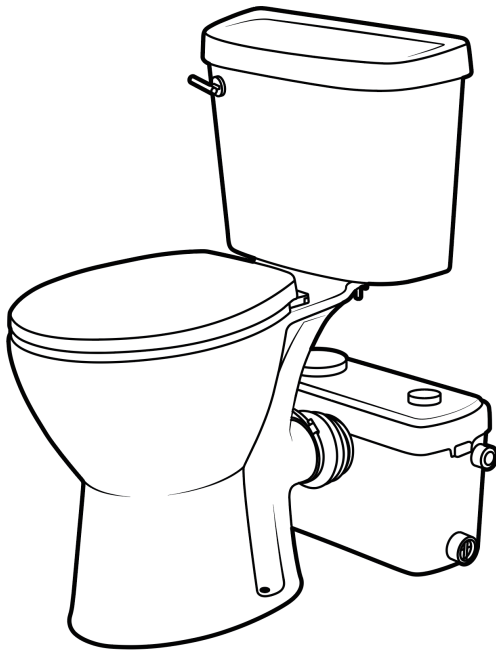


R19 Two Piece Toilet And Macerator Pump



NOTE: Drawing may not exactly define the contour of the product.



TABLE OF CONTENTS:

PRIOR TO INSTALLATION	3
SUGGESTED TOOLS AND MATERIALS	4
PARTS LIST	4
PRODUCT DIMENSION	6
BEFORE INSTALLATION	7
START INSTALLATION	9
TROUBLESHOOTING GUIDE	17
LIMITED WARRANTY COVERAGE	19

PRIOR TO INSTALLATION:

- Inspect the toilet to ensure no damages have occurred while in shipping.
- Observe all plumbing and building codes in accordance with your state and local requirements.
- Make sure the mounting surface is **CLEAN** and **LEVEL**.
- The above drawing is not to scale and is for illustrative purposes only. Please refer to the product dimension or our website: www.maceratingflo.com.
- Two people are recommended to install and move this product.
- **FRAGILE GOODS!** To avoid breakage and possible injury, handle with care.

General Recommendations:

Please read the installation instructions thoroughly before installing the toilet.

The step-by-step guidelines in the installation instructions are a general reference for installing a MaceratingFlo Toilet and Macerator Pump. Should there be any discrepancies, MaceratingFlo cannot be held liable. It is recommended to install all MaceratingFlo Products by hiring a licensed professional.

Be sure to use proper tools and always wear proper personal safety accessories for your protection.

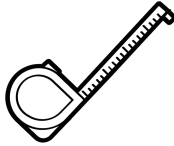
**If you have any questions or concerns
please contact us:**

cs@maceratingflo.com
(+1) 626-670-9903

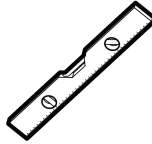
SUGGESTED TOOLS AND MATERIALS (Not Included)



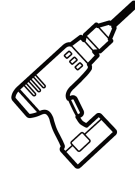
Wrench



Tape Measure



Level



Drill



Cross Head
Screwdriver



Flat Head
Screwdriver



Pencil



Water Supply Kit

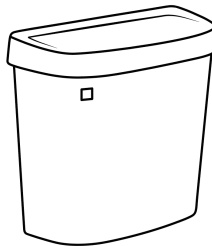


Cut Resistant Gloves

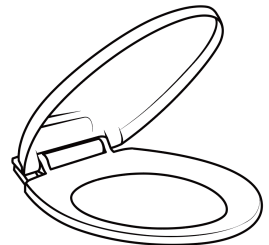
PARTS LIST



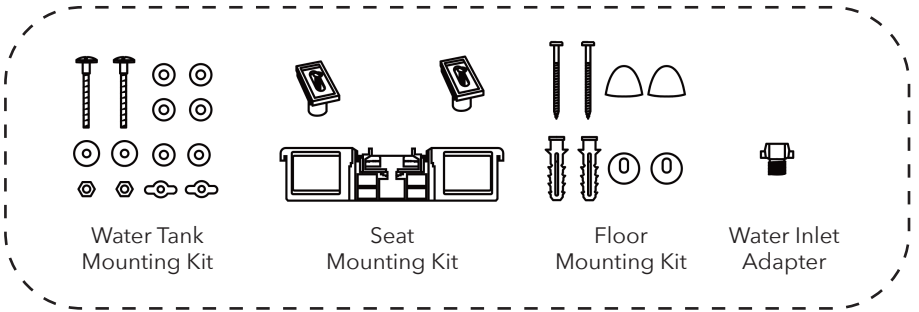
MT019T04 Toilet Bowl



MT019T04 Water Tank
(With Fill Valve & Flapper Kit Pre-installed)



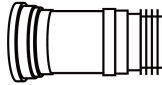
Toilet Seat



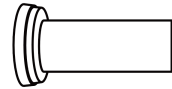
Toilet Installation Accessories



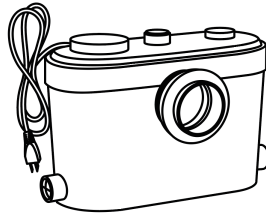
Lever



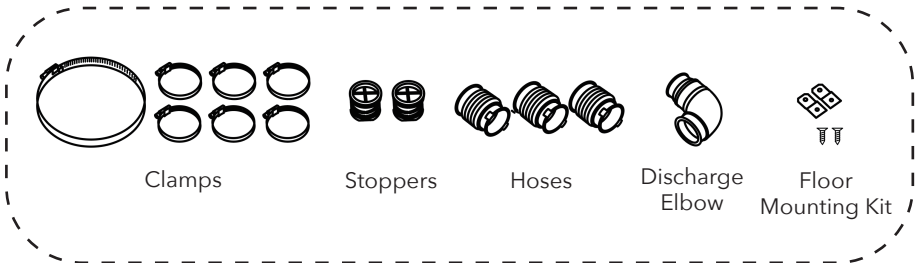
Flexible Extension Pipe



Rigid Extension Pipe

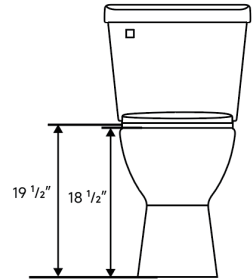
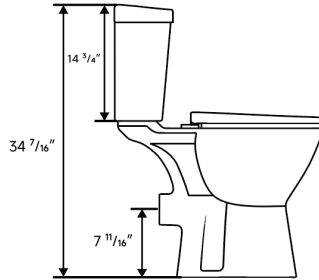
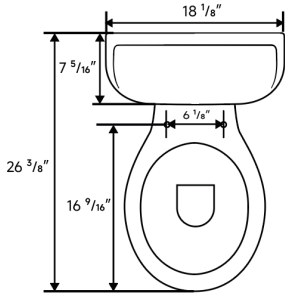


Macerator Pump

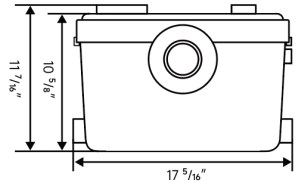
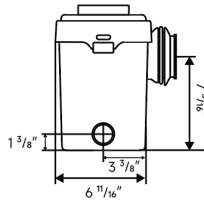
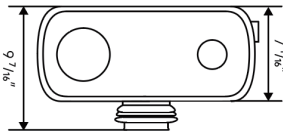


Pump Installation Accessories

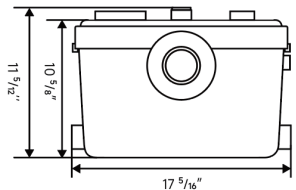
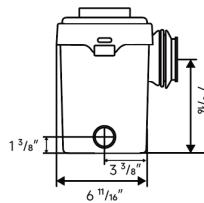
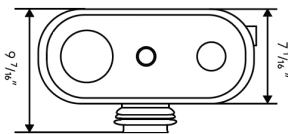
PRODUCT DIMENSIONS



MT019T04 Toilet



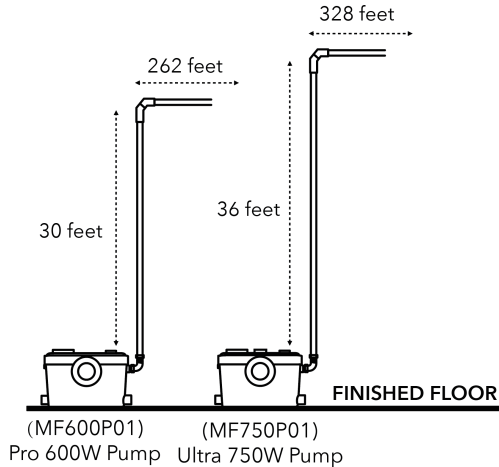
MF600P01 Macerator Pump



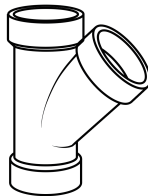
MF750P01 Macerator Pump

BEFORE INSTALLATION

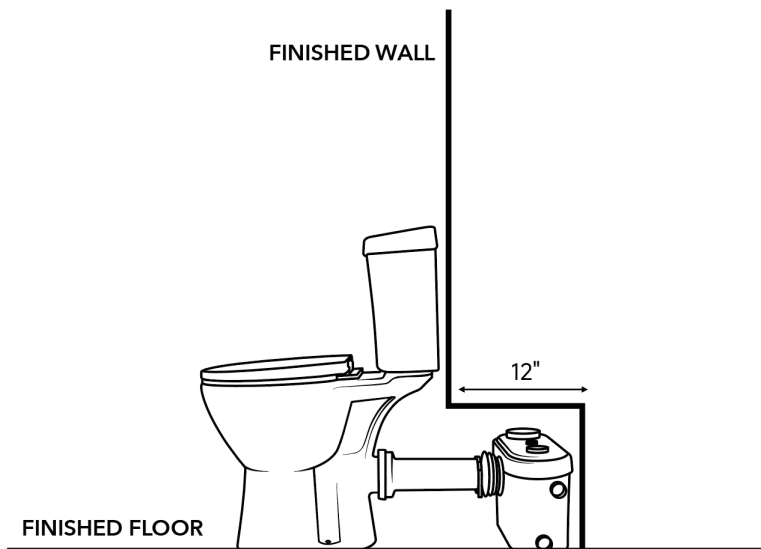
1. Read the installation instructions included with the MaceratingFlo unit. Identify all provided components and acquire any needed 1 ½ or 1 ¼ inches PVC pipes and fittings, along with PVC fasteners, cleaner, primer, and glue.
2. Choose the installation location within the maximum distance range:
 - MaceratingFlo Ultra 750W Pump supports up to 36 feet below sewer lines and 328 feet from the soil stack.
 - The Pro 600W Pump allows for 30 feet below sewer lines and 262 feet from the soil stack.



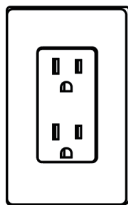
- If you plan to connect additional fixtures to the MaceratingFlo unit, they must be on the same structural level.
3. Cut into the soil stack material and install a Y-connector for the macerator discharge pipe.



- When installing a concealed Macerator Pump, ensure there is about 12 inches of space behind the pump frame. When installing near an exterior wall, leave a few inches behind the pump for insulation.



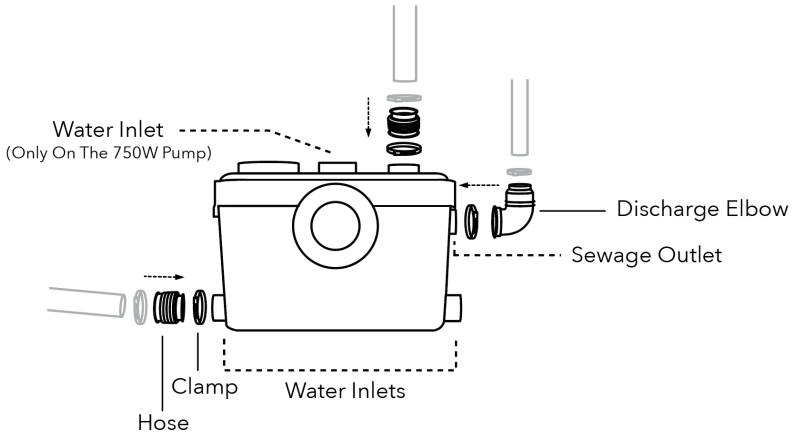
- Establish or access a fresh water supply in the installation area, ensuring that a shut-off valve and water line are prepared in advance. Use cold water (below 131°F) for the toilet installation.
- A nearby 15-amp circuit is needed to operate the Macerator Pump. Due to proximity to water, the circuit should be protected with a Ground Fault Circuit Interrupter (GFCI) in actual installations.

15AMP

START INSTALLATION

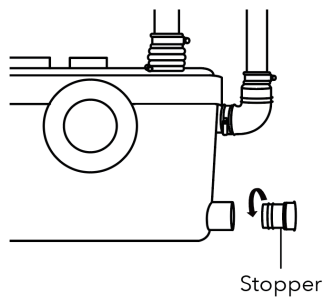
Step 1: Attach The Discharge Elbow And Hoses

- Position the pump where you want it. (Take 750W Macerator Pump as an example.)
- Install the discharge elbow and secure it with a clamp. Ensure it's properly positioned: press down and tighten with a flathead screwdriver.
- In the same way, insert the hoses into the pump's water inlets and continue to secure them with clamps.



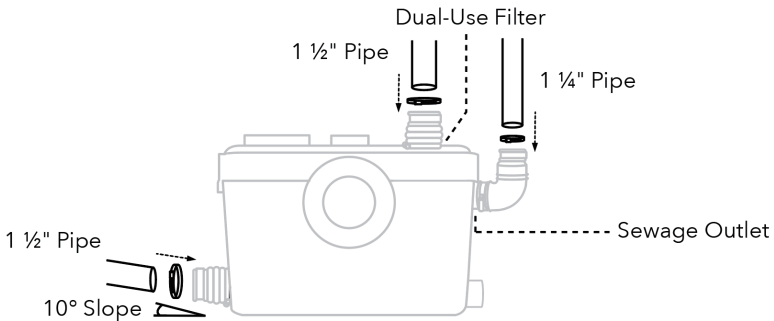
NOTE: The pump's sewage outlet has an integrated check valve, eliminating the need for an additional check valve in the discharge elbow.

- For any unused water inlets, insert stoppers and twist them to tighten.



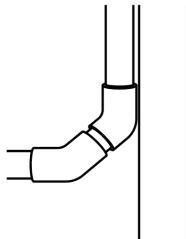
Step 2: Connect The Pump To PVC Pipes

- Insert a 1 ¼ inches sewage PVC pipe above the right side of the pump, and secure it with a clamp.
- To connect to a sink or shower waste, use the pump's left and right inlets. Use 1 ½ inches pipes for connection, preferably with at least a 10° slope for gravity flow into the pump. Ensure the hot water temperature for bathtubs and faucets is 131°F or lower.
- The top right corner of the pump has a dual-use filter with activated carbon. You can also connect it to your exhaust system. Insert a hose, secure it with a clamp, and then connect it to a 1 ½ inches vent pipe.

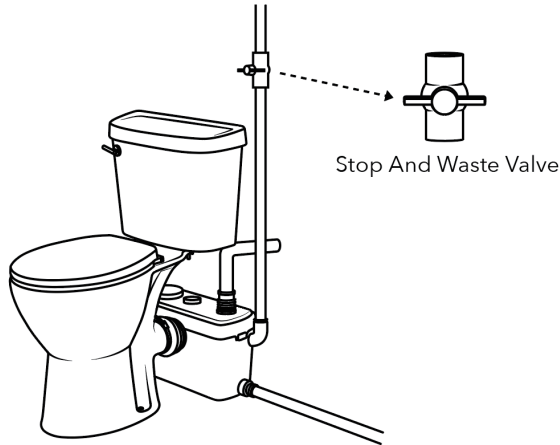


NOTE:

- ① Use two 45° elbows for right-angle turns for smoother flow. Insulate pipes in areas where freezing is a concern.

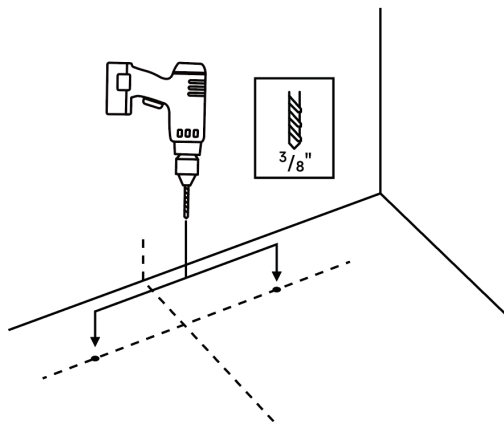


② We recommend installing a stop and waste valve in the drain pipe during setup for easier maintenance of the toilet or pump later on.



Step 3: Determine The Toilet Installation Location

- Place the toilet at the designated spot.
- Mark the points at the mounting holes, then remove the toilet.
- Drill the mounting holes at the marked points, then put the toilet in place.



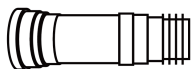
Step 4: Connect The Toilet To The Pump

- Insert the toilet's drain outlet into the rubber ring in the middle of the pump and secure it with a large clamp.

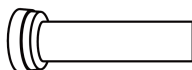


- If installing the pump behind the wall, remember to install a removable panel in the wall for easy access to the Macerator Pump.

NOTE: An extension pipe is required when installing the pump behind the wall. We offer two options: a rigid extension pipe and a flexible extension pipe. Please choose the pipe according to your needs.

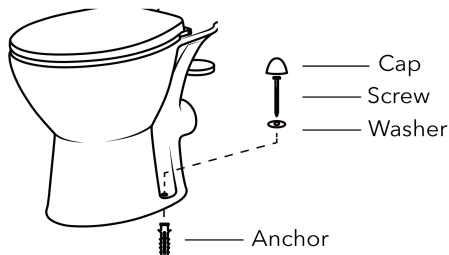


Flexible Extension Pipe



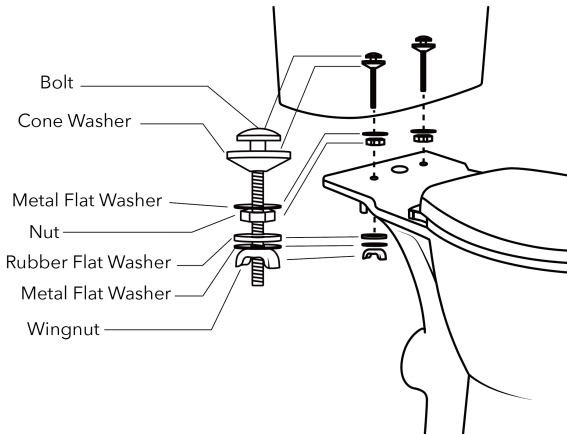
Rigid Extension Pipe

- Insert the components to mount the toilet as illustrated. Use a wrench to tighten if needed. (Do not overtighten.)



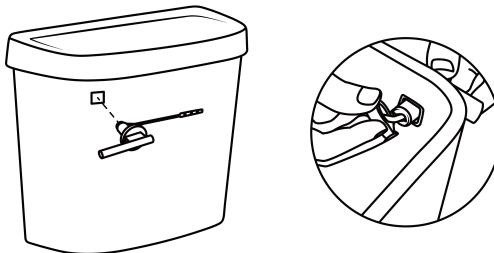
Step 5: Assemble Toilet Tank To Bowl

- Position the tank-to-bowl gasket over the tank nut, ensuring there is no gap between the gasket and the tank.
- Insert the two tank bolts into the tank mounting holes. Lift the tank and guide the bolts to align the tank with the bowl.
- Place the washers and nuts as illustrated. Alternately tighten the nuts to secure the tank to the toilet bowl.



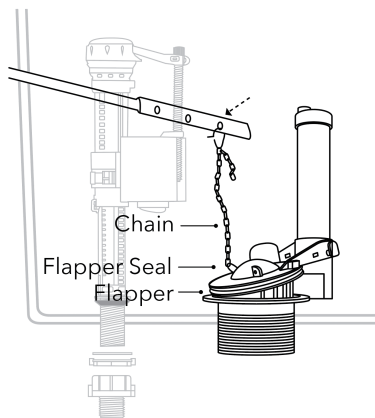
Step 6: Install Flush Lever

- **Lever Assembly**
1. Unscrew the positioning rubber, rubber washer, and plastic nut from the lever arm by turning it clockwise.
 2. Insert the lever arm and the positioning rubber through the square hole on the tank's front side.
 3. Adjust the rubber until it fits perfectly.
 4. Secure the lever arm by tightening the rubber washer and plastic nut counterclockwise.



- **Attach Flapper**

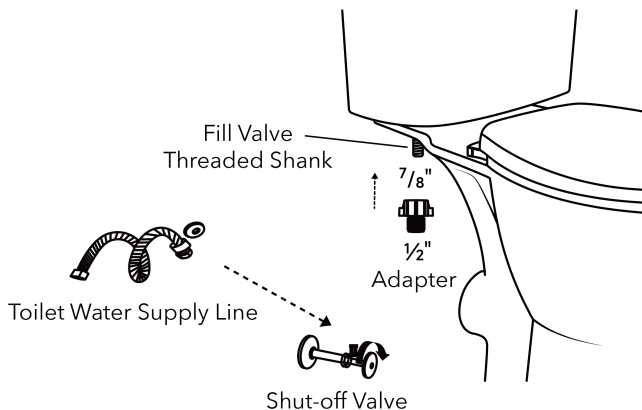
1. Attach the chain from the flapper to the lever arm.
2. Ensure the chain length allows the flapper to fully raise when the lever is activated.
Keep 5 or 6 extra chain links for potential future adjustments.



Step 7: Install The Water Supply Pipe And Test Flushing

- Connect the toilet water supply line. We offer a $\frac{7}{8}$ " to $\frac{1}{2}$ " fill valve pipe adapter. Use the adapter if needed.
- Tighten the supply line securely and turn on the water supply.

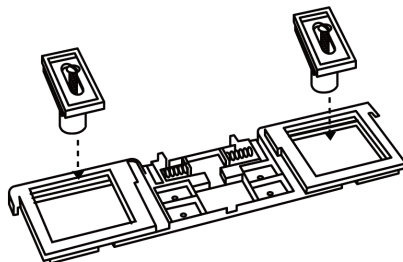
NOTE: Avoid using plumber's putty, pipe dope, or any other sealants on the water supply connection to this tank. If a leak occurs after hand-tightening, consider replacing the supply line. If the leakage persists with a new supply line, it may be necessary to replace the fill valve.



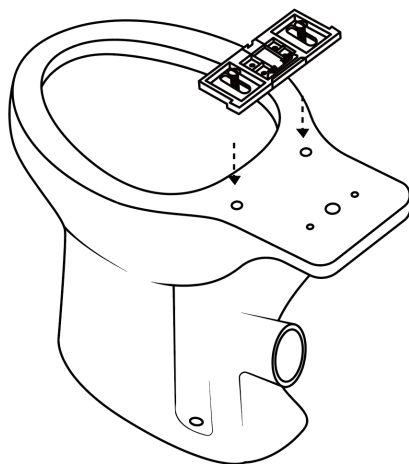
- Plug in and turn on the pump to verify its functionality. It should activate and deactivate without issues.
- Conduct a flushing test on the toilet, ensuring everything flows correctly and the pump activates as intended.
- After the flushing test, check all connection points for potential leaks. Tighten any loose connections further if issues persist.

Step 8: Install The Toilet Seat

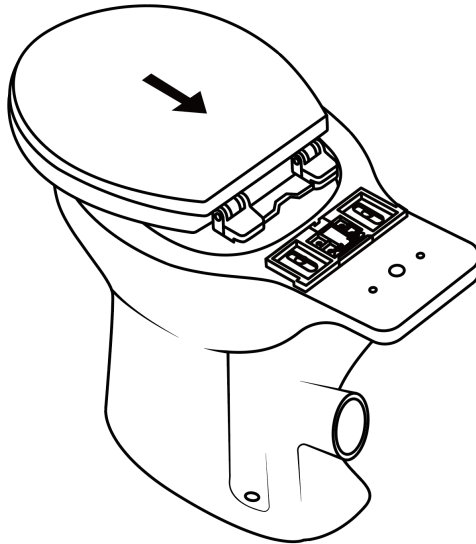
- Insert the expansion bolts into the bracket.



- Then insert them into the hole of the toilet bowl and adjust the position of the expansion bolts correctly. (The spring side rests on top.)
- Tighten the bolts with the cross screwdriver.



- Place the toilet seat horizontally into the bracket.
- Finally, adjust the position of the toilet seat to align it with the bowl.



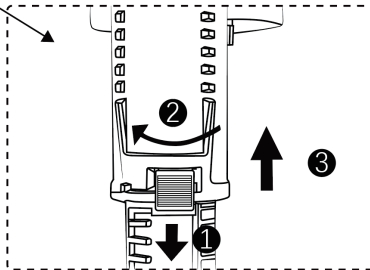
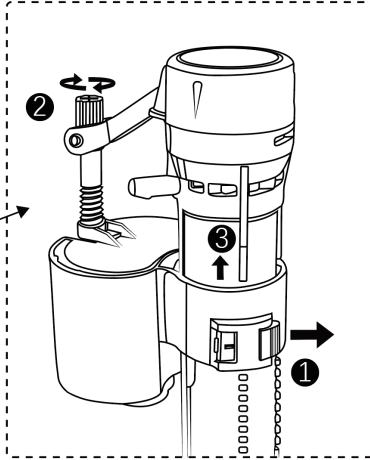
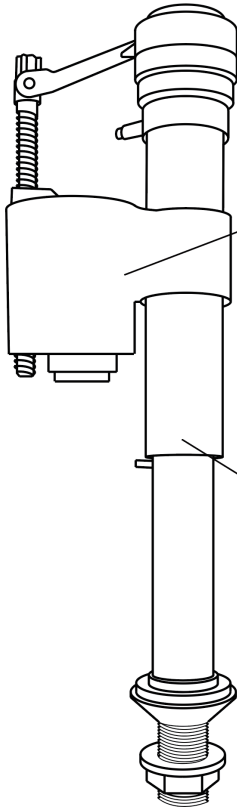
TROUBLESHOOTING GUIDE



When servicing or replacing any components, be sure the water supply is shut off and the toilet is flushed.

SYMPTOMS	PROBABLE CAUSES	REMEDIES
Does not flush	<ul style="list-style-type: none"> • Water supply valve closed. • Supply line blocked. • Flush valve chain too loose or disconnected. 	<ul style="list-style-type: none"> • Open valve and allow water to fill tank. • Shut off water supply, disconnect supply line and inspect its accessories. Reassemble. • Readjust chain length as required.
Poor flush	<ul style="list-style-type: none"> • Supply valve partly closed. 	<ul style="list-style-type: none"> • Open supply valve fully. Be sure that proper supply tube size is used.
	<ul style="list-style-type: none"> • Partially clogged trapway and/or drain pipe and/or vent. 	<ul style="list-style-type: none"> • Remove obstruction. Consult a plumber if necessary.
	<ul style="list-style-type: none"> • Low water level in the tank. 	<ul style="list-style-type: none"> • Adjust the fill valve to raise water level in tank. (Review Figure 1)
	<ul style="list-style-type: none"> • Flush volume too low. 	<ul style="list-style-type: none"> • Adjust the position of the chain hook on the chain. • Detach the chain hook from the lever, reposition it on the chain, and then reattach the hook to the correct hole on the flush lever.
Toilet leaks	<ul style="list-style-type: none"> • Poor supply line connection. 	<ul style="list-style-type: none"> • Review Step 7 of installation procedure.
	<ul style="list-style-type: none"> • Poor bowl to tank/wall connection. 	<ul style="list-style-type: none"> • Review Step 2 through 5 of installation procedure.
Toilet does not shut off	<ul style="list-style-type: none"> • Flapper seal leaking or deformed. 	<ul style="list-style-type: none"> • Clean debris from seal surface. Replace flapper seal as needed.

- ① Unlock the clip
- ② Adjust the lever float upward
- ③ Level the float with the lever float



- ① Unlock the clip
- ② Twist the valve
- ③ Adjust the height

(Note: Do not exceed the internal tank height.)

TIP: Please remember to restore the clips after adjustment.

Figure 1

LIMITED WARRANTY COVERAGE

TWO YEAR LIMITED WARRANTY

MaceratingFlo products are crafted with superior materials and impeccable workmanship, offering our customers reliable and long-lasting products. If defects in materials or craftsmanship are detected under standard use within the first two years of installation, MaceratingFlo will either supply replacement parts at no charge or, if deemed necessary, replace the product or its parts, this warranty is exclusive to the original purchaser, and proof of purchase is mandatory for any claim.

We strongly advise all MaceratingFlo product installations be handled by a licensed, professional plumber or contractor. MaceratingFlo won't be held liable for damages or product malfunctions due to incorrect installation, misuse, or if a licensed professional isn't employed for the installation. We won't cover any associated installation or removal expenses.

This Warranty Will Be Voided If:

- The product's installation did not follow our recommendations.
- The product was relocated from its initial installation site.
- The product underwent any modifications from its original condition.
- The product suffered from neglect, misuse, chemical overuse, accidents, or any other damages.

MaceratingFlo does not imply that our products adhere to local building or plumbing codes. Consumers must ascertain local code compliance before and during installation. This warranty is strictly for the original purchaser and first consumer.

MaceratingFlo won't be held responsible for any consequential damages linked to the product's installation, replacement, return, or usage. This includes, but is not limited to, freight charges, labor, downtime, home damages, and other associated costs (e.g., professional services, investigations, audits, legal fees).

This MaceratingFlo warranty clearly delineates our liability. Items not specified in this warranty fall outside MaceratingFlo's responsibility. In states with variations concerning implied warranties, our compliance is ensured.

For any queries or concerns, feel free to reach out to us at

Email: cs@maceratingflo.com

Phone: (+1) 626-670-9903

Site: www.maceratingflo.com